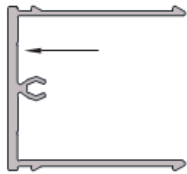


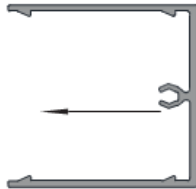
**Product Information:**

- Architectural Batten Profile for sunshades, grilles, privacy screens, signage, decorative elements, screen wall & fencing.
- Mechanically attach with internal fastening
- Finishes: Solid colors, woodgrains and specialty finishes available
- Matched finish on press fit End Caps available
- Extruded aluminum shape
- Paint finish testing: AAMA 2604
- Class "A" Fire Rating
- Standard profile length is 24'-0"
- Lengths less than 24'-0" available upon request
- See Batten Extrusion Line Card for other Components.

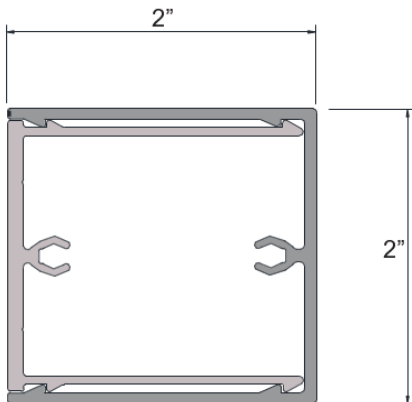
2" BASE



2" X 2" CAP



Options: Back side of 'BASE' can be left unfinished if not exposed



2" X 2" Batten Assembly

\*typical 0.070/.080" wall thickness