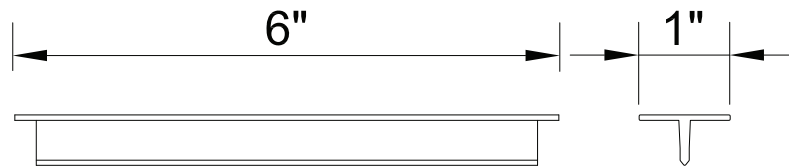
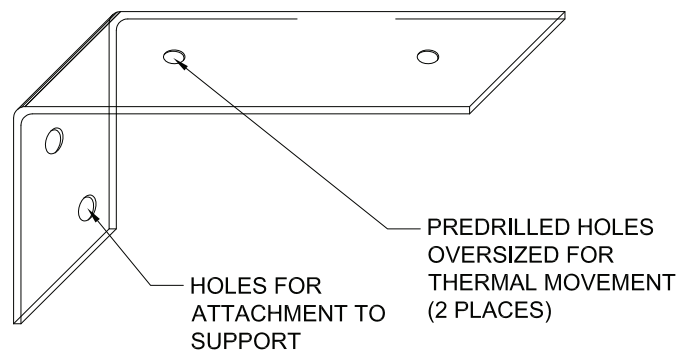


1" X 6" BATTEN



ALUMINUM BATTEN END CAP



ALUMINUM BATTEN CLIP



2529 W. Jackson St.  
Phoenix, AZ 85298  
PHONE: (602) 275-1676  
FAX: (602) 275-1739

## PROFILE AND CLIP

SCALE: NTS

7/24/14

SYSTEM = ALUMABOARD BATTEN

P