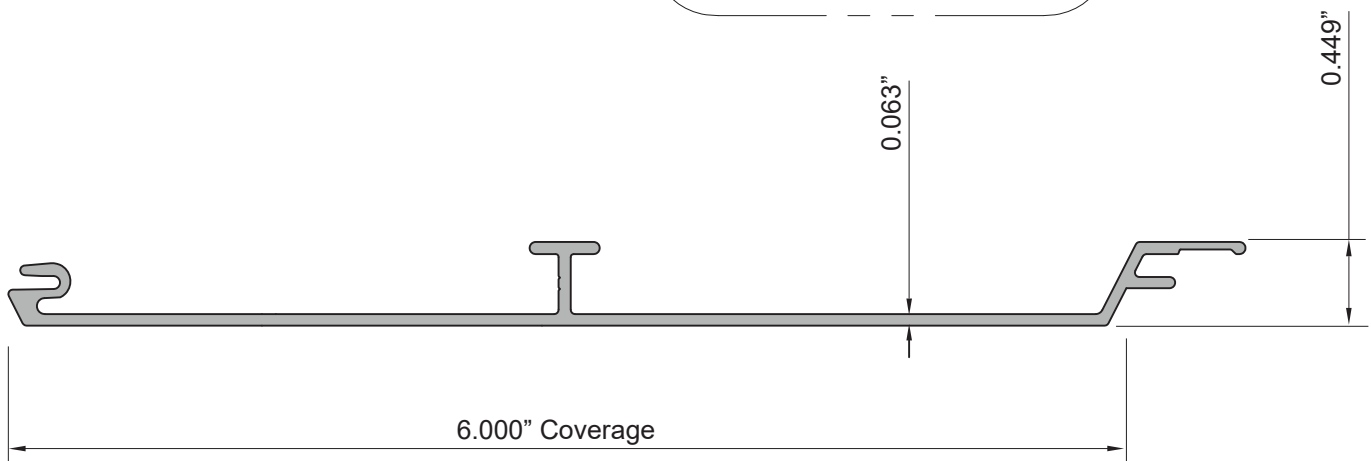
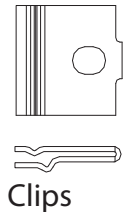
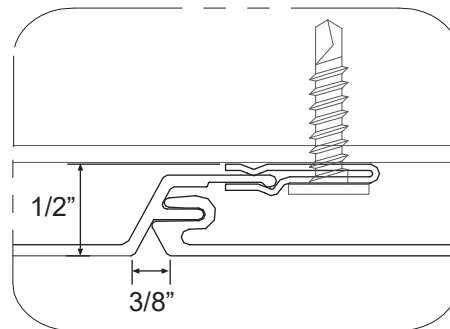
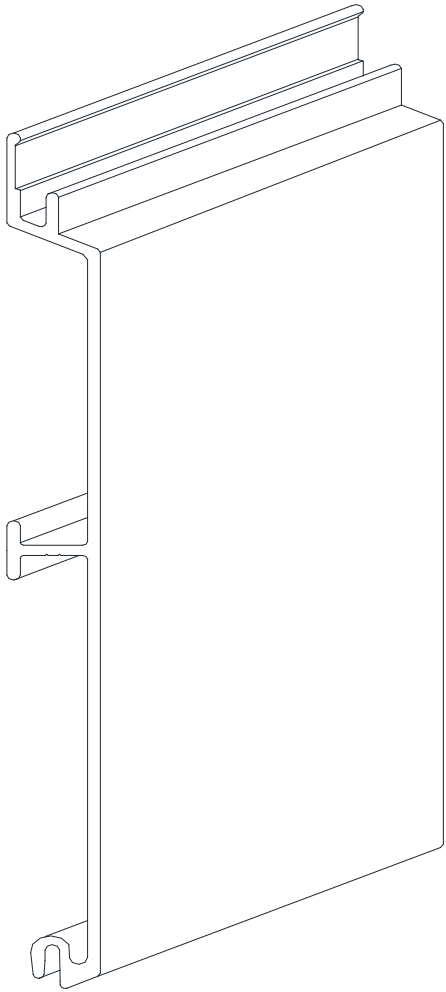


Product Information:

- Architectural Soffit and Wall Application
- Applied over open framing or solid substrate
- Finishes: Solid colors, woodgrains and specialty finishes available and specialty finishes.
- Available in .063" (nominal) extruded aluminum.
- System testing with CA & FL stamps: ASTM E84, ASTM E136, AAMA 1402
- Class "A" Fire Rating
- Paint finish testing: AAMA 2604
- 1/2" deep, 6" coverage
- 3/4" long stainless steel clips- allows for thermal expansion
- Standard panel length is 12'-0"
Lengths available up to a maximum of 24'-0" upon request
- See Plank Extrusions & Accessories Line Card for additional components



6" Plank