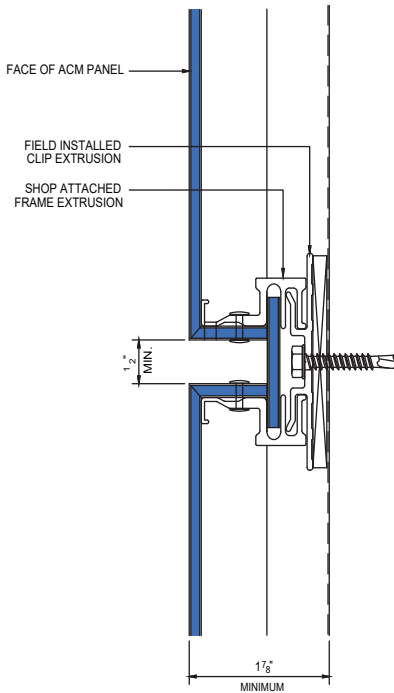


**Product Information:**

- Architectural Rainscreen Panel for interior or exterior applications
- Available in FR (Fire Resistant mineral core) standard and PE (Polyethylene core) upon request
- Available in 4mm and 6mm thickness  
also available in Copper, Stainless Steel and Zinc
- 0.2mm face and backer sheet standard in 300(series alloy)
- Finishes: Pro finish 500 (PPG Industries Duranar) Standard, Mica and Metallic with clear coat
- Maximum fabricated panel is 60" x 192"
- Matching flat sheets available in 48" x 120" x .040 Aluminum



ACM Series A1000 Dry Seal System



Technical Overview:  
Fully ICC-AC25 certified (CCRR 1061)  
LARR approved/certified (RR T766)

Product Testing: Fire and Physical Performance

- NFPA 285
- ASTM E-84
- ASTM C-297
- ASTM D-1929
- ASTM D-635
- ASTM E-8
- ASTM D-1781

Product Testing: Air, Water and Structure

- ASTM E-283-04
- ASTM E-331-00
- ASTM E-330-02

PPG paint warranty- 20 years standard (inquire for added duration)