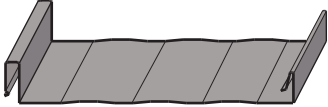
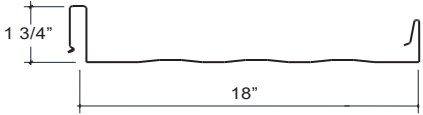

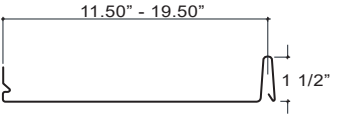

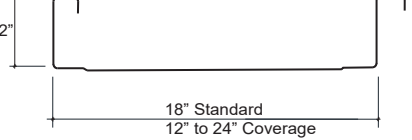

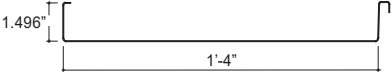

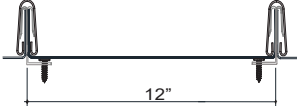


ROLLFAB
SINGLE SKIN PRODUCTS

Wall & Roof Profiles


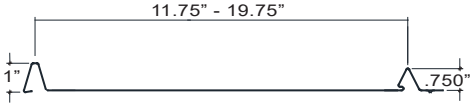



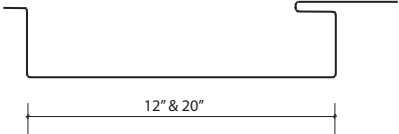

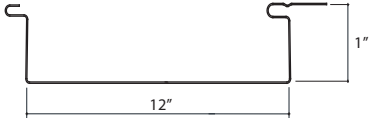


Product Profile	Part Number	Item
 	SL-175	<p>Snap Lock Panel *Available field roll lengths for over 50' *Weather Tightness Warranty available</p>
 	SL-150	<p>Snap Lock Panel *Available as field roll for lengths over 50' *Weather Tightness Warranty available * Curving available</p>
 	MS-200	<p>Mechanical Lock Standing Seam Panel *Weather Tightness Warranty available</p>
 	MS-150	<p>Mechanical Lock Standing Seam Panel * Curving available</p>
 	PS-10	<p>Batten Seam Panel * Curving available</p>


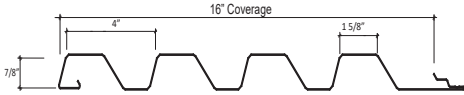
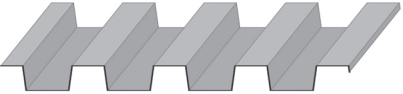
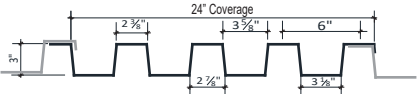
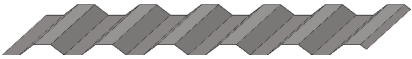
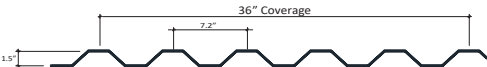

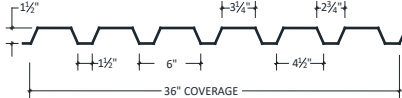
Notes:
Venting, Stirrations, and Pencil Ribs available on all panels


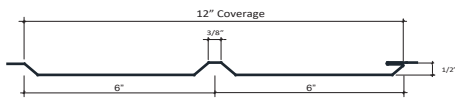

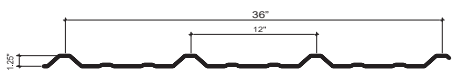

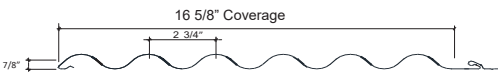
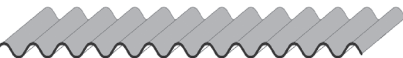
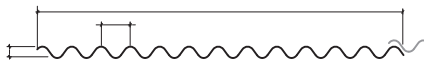
Panels under 36" lengths & specialty cuts lists/crating are subject to additional charges

* Inquire for more information

Product Profile	Part Number	Item
 	NS-10	Nail Strip Panel
 	SS-15	Standing Seam Panel
 	FP-10	Flush Panel
 	FW-10	Flush Wall Panel

Notes:
Venting, Stirrations, and Pencil Ribs available on all panels

Product Profile	Item
 	<p>Rigidized Panel - Concealed Fastener Minimum Panel Length is 6'-0"</p>
 	<p>Deep Rib 3-6-24 Maximum Panel Length is 20'-0"</p>
 	<p>7236 Panel Maximum Panel Length is 20'-0"</p>
 	<p>1.5-6-36 Panel Maximum Panel Length is 20'-0"</p>

Product Profile	Item
 	<p>FP-375 Panel Maximum Panel Length is 20'-0"</p>
 	<p>Classic PBR Panel</p>
 	<p>Design Corr Corrugated Panel - Concealed Fastener</p>
 	<p>7/8" Classic Corrugated Panel</p>