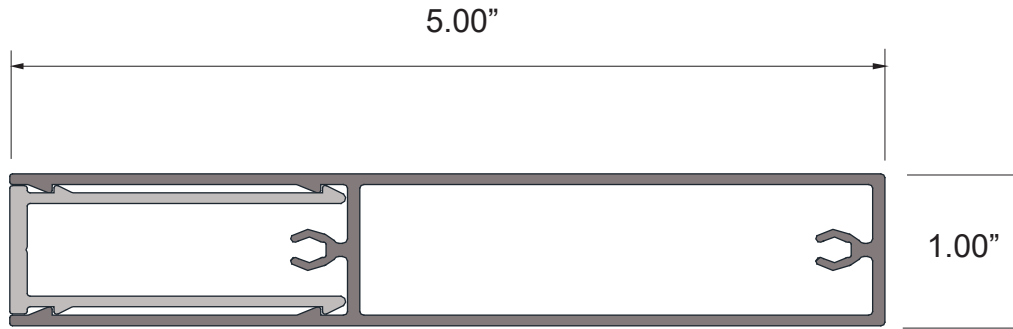
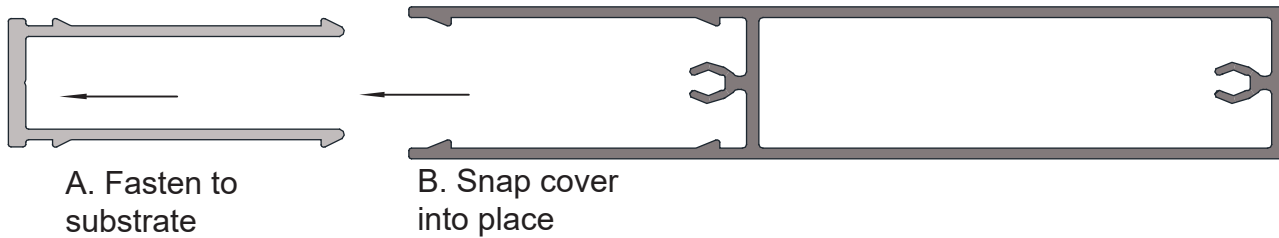
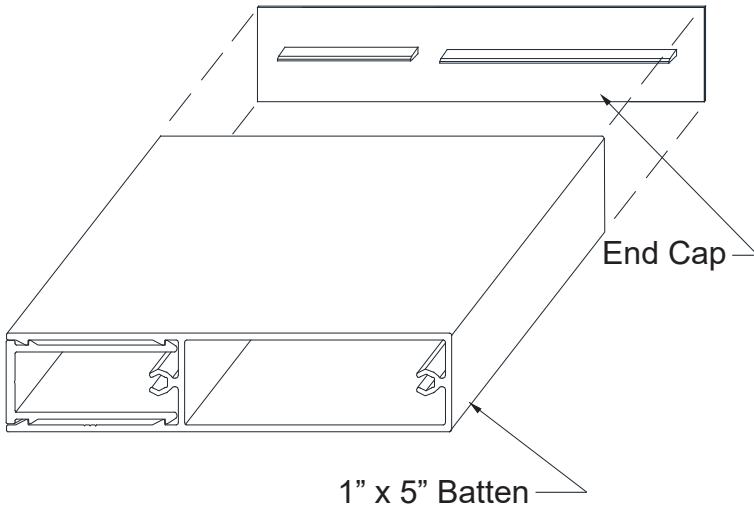


**Product Information:**

- Architectural Batten Profile for sunshades, grilles, privacy screens, signage, decorative elements, screen wall & fencing.
- Mechanically attach with internal fastening
- Finishes: Solid colors, woodgrains and specialty finishes available
- Matched finish on press fit End Caps available
- Extruded aluminum shape
- Paint finish testing: AAMA 2604
- Class "A" Fire Rating
- Standard profile length is 12'-0"
- Lengths available up to a maximum of 24'-0" upon request
- See Batten Extrusion Line Card for other Components



1"x 5" Vertical Interlocking Batten