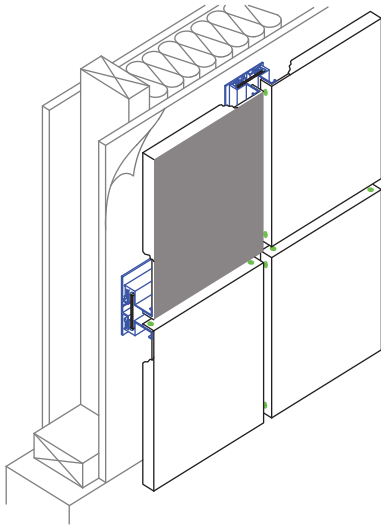
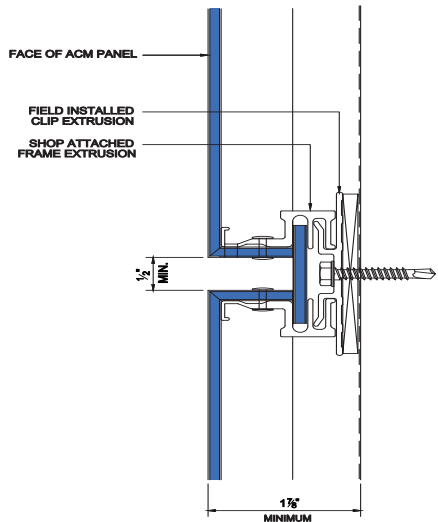


Product Information:

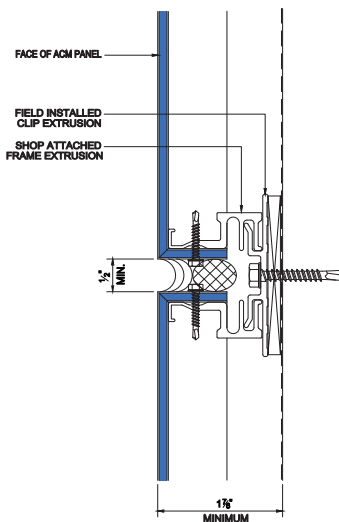
- Architectural Panel in PE (polyethylene) and FR (fire resistant mineral) cores
- Finishes: Pro finish 500 (PG Industries Duranar) Standard, Mica and Metallic with clear coat
- Available in 4mm and 6mm thickness also available in Copper, Stainless Steel and Zinc
- .2mm face and backer sheet standard in 300 (series alloy)
- Panel Width Options: 62" and 50"
- Standard panel length: 196"- custom lengths available upon request
- Matching flat sheets available in 48" 120" .040 Aluminum



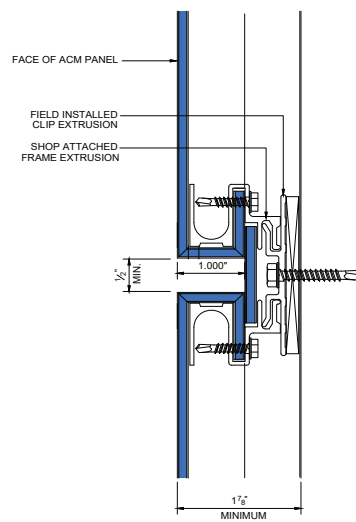
Panel Systems Available:



ACM Series A1000 Dry System



ACM Series A2000 Wet System



ACM Series A1000NF Nonexposed Fastener System

Technical Overview:
Fully ICC-AC25 certified

Product Testing: Fire and Physical Performance

- NFPA 285 • ASTM D-1929 • ASTM E-8
- ASTM E-84 • ASTM D-635 • ASTM D-1781
- ASTM C-297

Product Testing: Air, Water and Structure

- ASTM E-285 • ASTM E-331 • ASTM E-330

PPG paint warranty- 20 years standard (inquire for added duration)