

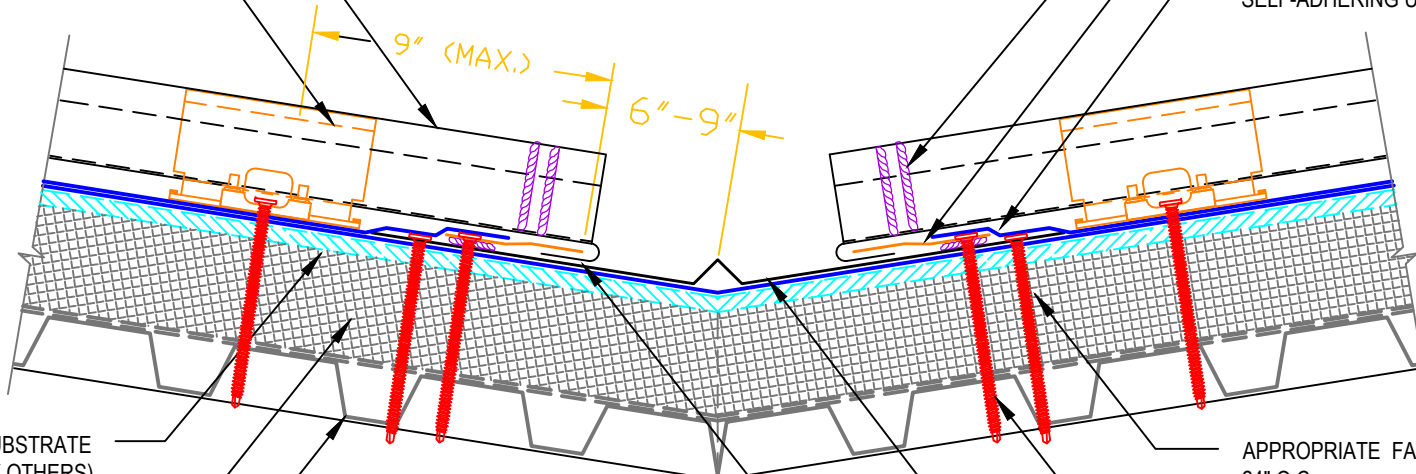
ROLLFAB METAL PRODUCTS  
MS-200 MECHANICAL SEAM  
ROOFING PANEL

ROLLFAB METAL PRODUCTS  
MS200 LOW-FLOATING ROOF  
PANEL CLIPS

DBL BEAD OF BUTYL SEALANT  
FIELD APPLIED TO VERTICALS

20GA MIN. OFFSET JOGGLE CLEAT  
SET IN BUTYL TAPE

MIN. 6" WIDE RMP SA-HT  
SELF-ADHERING UNDERLAYMENT



NAILBASE ROOF SUBSTRATE  
(BY OTHERS)

INSULATION (OPT.)  
(BY OTHERS)

METAL DECKING (OPT.)  
(BY OTHERS)

APPROPRIATE FASTENER  
24" O.C.

APPROPRIATE FASTENER  
8" O.C. MAX.

VALLEY FLASHING

1" MIN. FIELD NOTCH & HEMMED  
PANEL @ CLEAT, ALLOW  
CLEARANCE FOR THERMAL  
EXPANSION



**VALLEY FLASHING**

2529 WEST JACKSON ST, PHX, AZ 85009  
PH: (602) 275-1676 FAX: (602) 275-1739

PANEL SYSTEM: MS-200	
ISSUE / REVISION DATE: 1/28/2013	DETAIL NO. <b>MS2VLY</b>
NOT TO SCALE	