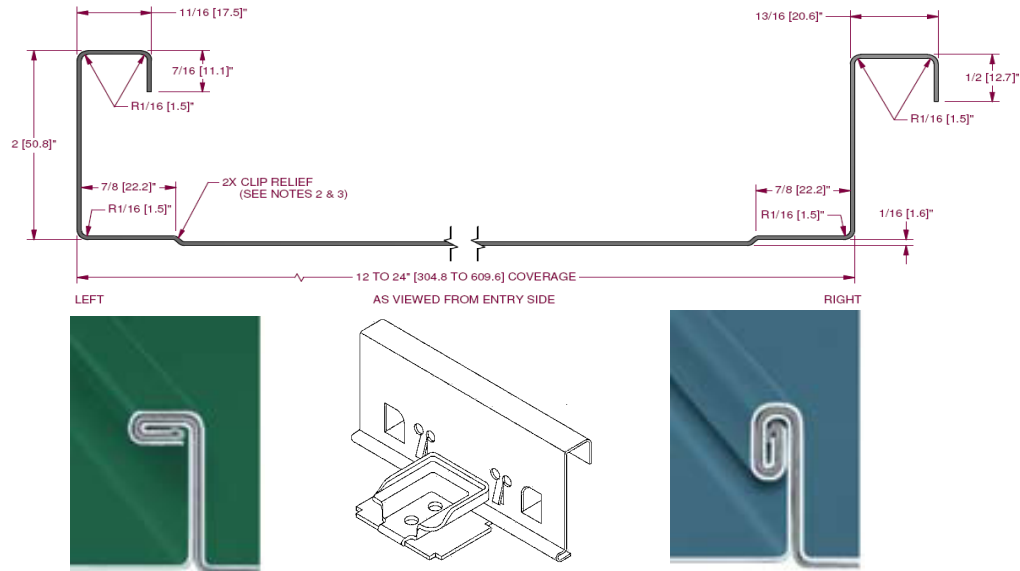


Rustic MS-200 HP Roofing

Technical Reference



Product Overview

Features

- 22 Gauge A606 Weathering Steel..aka Corten - 18" wide Panel—Stainless Steel or Galvanized clips available;
- Rustic MS-200 HP has a unique look and naturally oxidizing finish that make it especially desirable for many architectural projects.
- A606 (AKA Corten) has different corrosion resistance characteristics from bare cold rolled steel.
- Matching trim and flat stock available for rusty metal roofing.
- Painted screws are available to match this rusty steel panel.
- Special widths available upon request; Two Seaming options

Recommendations and Cautions

- Rustic Roofing performs best in environments with low humidity
- Minimum roof slope 1.5:12 recommended for rusted MS-200 HP.
- Not recommended near salt spray environments and frequent rain locations as it will shorten the life expectancy of the products.
- Acid washing will degrade steel performance.
- Rust runoff will likely stain the surrounding surfaces.
- **NO WARRANTIES FOR THESE PRODUCTS**



www.rollfabmetal.com
602-275-1676 Fax 602-275-1739
2529 W Jackson Street, Phoenix, Arizona 85009