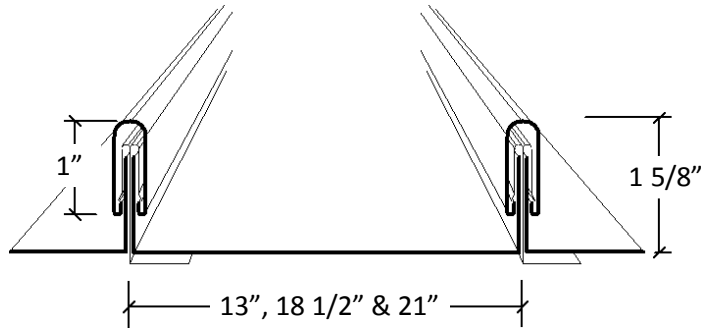


PS-15 PROFILE

TECHNICAL REFERENCE



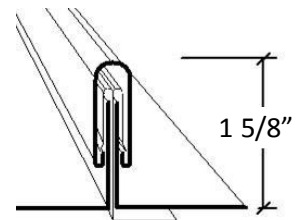
PRODUCT OVERVIEW

- Architectural Roofing application
- Finishes: ProFinish 500 (PVDF) Colors & Acrylic Coated Galvalume[®]
- Available Gauges: 24 ga. standard
- Also available in .032 Aluminum or 16 & 20 oz. Copper or Zinc
- Applied over solid substrate with proper underlayment
- Single piece concealed clip designed for thermal movement
- Minimum roof slope – 2- 1/2:12



GENERAL INFORMATION

- Maximum length panel 40'-0"
- Minimum length panel 2'-0"
- Field forming available for panels over 40'-0"
- Special width panels upon request
- Narrow battens can be curved for radius applications
- Lined panels for domed roof application
- Tapered panels available up to 20'-0"
- Striation, narrower widths & heavier gauges minimize appearance of "Oil Canning"
- RMP recommends all panels be striated to minimize oil canning. Purchaser must specify striated or smooth panel on order



Seam Detail

Galvalume[®] is a registered trademark of BEIC International, Inc.