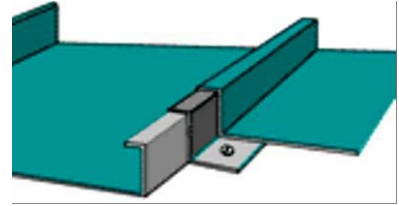
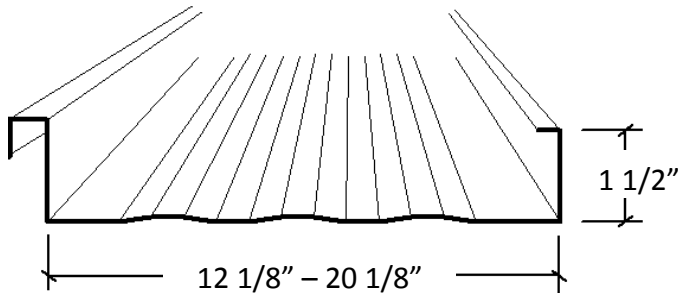


# MS-150 PROFILE

## TECHNICAL REFERENCE



## PRODUCT OVERVIEW

- Architectural or Structural application
- Finishes: ProFinish 500 (PVDF) Colors and Acrylic Coated Galvalume<sup>®</sup>
- Available Gauges: 24 ga. standard; 22 ga. Optional
- Also available in .032 Aluminum & 16 & 20 oz. Copper or Zinc
- 1-1/2" Rib height, 20 1/8" standard, 12.1/8" optional
- Applied over solid substrate or open framing
- Two piece articulating clip for thermal expansion and contraction
- Mechanically locked integral side lap seam
- Single or double seam
- Minimum roof slope 1-1/2:12
- Factory applied sealant (optional) insures weather-tightness
- RMP recommends all panels be striated to minimize oil canning. Purchaser must specify striated or smooth panel on order

### Double lock



### Single lock

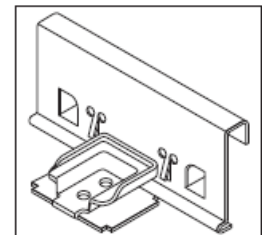


## TECHNICAL OVERVIEW

- UL-263 Fire Resistance rating
- UL-790 Class A Fire Resistance
- UL-2218 Class 4 Impact Resistance
- UL-580 Class 90 Wind Uplift, Construction no. 588, 603, 604 & 605
- Florida Building Code approved 8629.1
- Dade County Florida PA-125 approval
- Miami Dade County ASTM 1897 approved, no. 05-1122.13
- Dade County Submersion test PA-114 (FM 4471) approved
- ASTM E-331 Water Infiltration
- ASTM E-283 Air Infiltration

## GENERAL INFORMATION

- Minimum length panel 3'-0"
- Maximum length 65'-0"
- Field forming available for panels over 65'-0"
- Panel available in .032 Aluminum or 16 & 20 oz. Copper or Zinc
- Special width panels upon request
- Tapered panels available up to 20'-0"
- Striation, narrower widths and heavier gauges minimize appearance of "Oil Canning"
- Oil canning is not a cause for rejection



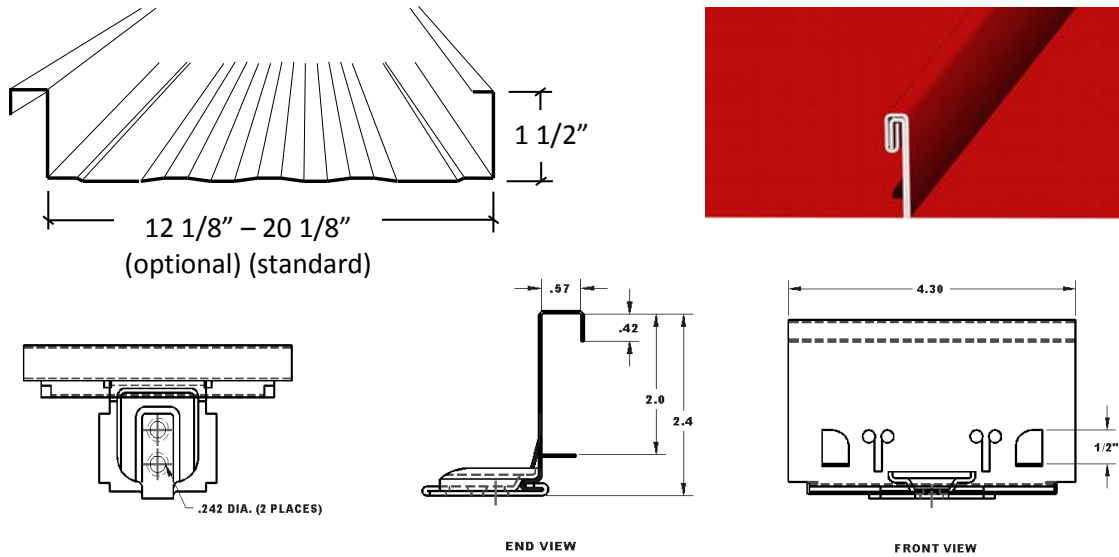
Galvalume<sup>®</sup> is a registered trademark of BEIC International, Inc.

**RMP**  
ROLLFAB  
METAL PRODUCTS

[www.rollfabmetal.com](http://www.rollfabmetal.com)  
602-275-1676 Fax 602-275-1739  
2529 West Jackson Street, Phoenix, Arizona 85009

# MS-150 PROFILE

## TECHNICAL REFERENCE



Profile	ASTM E-283/1680 Air Infiltration		ASTM E-331/1646 Water Penetration	
	Pressure Differential	Leakage Rate	Pressure Differential	Leakage Rate
24 Gauge-16" Wide	6.24 PSF 12.0 PSF 15.0 PSF	.006 CFM/sq. ft. .000 CFM/sq. ft. .000 CFM/sq. ft.	6.24 PSF 12.0 PSF 15.0 PSF	None None None

### LOAD TABLE OVER 15/32" PLYWOOD

Buildings having a Roof Mean Height  $\leq 20'-0"$ ; Roof Slope: 3"/12 - 12"/12"  
Wind speeds 120-150 mph, Exp. C, 1=1.0, based on Florida Bldg. Code 2004

1.5" 24 Ga. Mechanical Lock, 16" Wide, Clip Spacing						
Zone	Fastener	Substrate	Wind Speed Zone			
			120 On Center Spacing	130 On Center Spacing	140 On Center Spacing	150 On Center Spacing
Zone 1	(2) #12-11x1"	15/32" CDX Plywood	24"	24"	24"	24"
Zone 2	(2) #12-11x1"	15/32" CDX Plywood	24"	6"	6"	6"
Zone 3	(2) #12-11x1"	15/32" CDX Plywood	6"	6"	6"	6"

- **Panel Description:** 1.5" Mechanical Lock, Min. 24 Ga. MSG coated steel, 16" max width double lock seam
- **Panel Fastener:** (2) #12-11 x 1" Type A Pancake Head per clip
- **Panel Clip:** 1500SC Floating Clip
- **Maximum allowable panel uplift pressure:** 59.75 PSF @ 24" O.C., 123.5 PSF @ 6" O.C. Pressure based on UL 580/UL 1897 Testing by Force Engineering, Test Report #72-0313T-06A-C
- **Plywood Decking:** Min. 15/32" Thick, APA Rated Plywood, Grade C-D, Plywood. Must be designed in accordance with F.B.C. 2004