

VERT. INSTALLATION ELEVATION

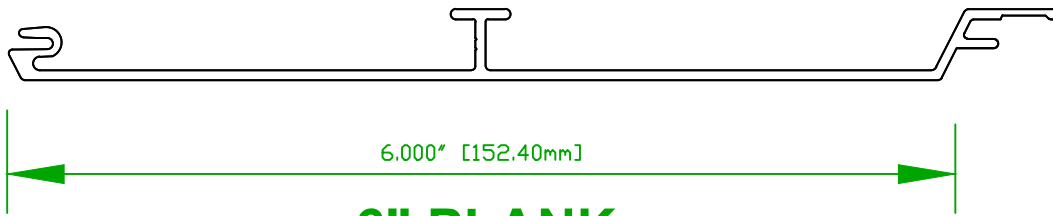
SYSTEM = 6" ALUMABOARD

7/24/14

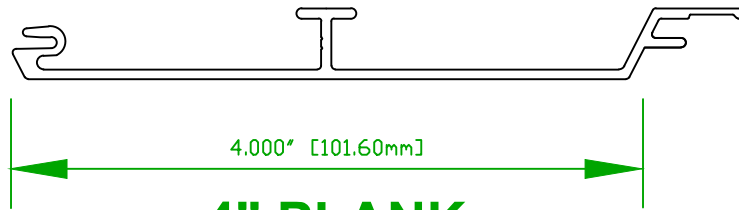
SCALE: NTS

2529 W. Jackson St.
Phoenix, AZ 85298
PHONE: (602) 275-1676
FAX: (602) 275-1739

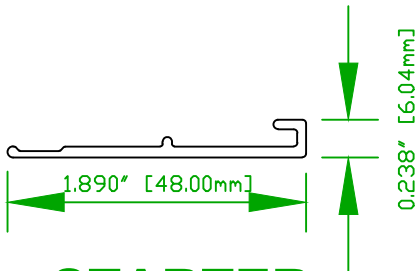




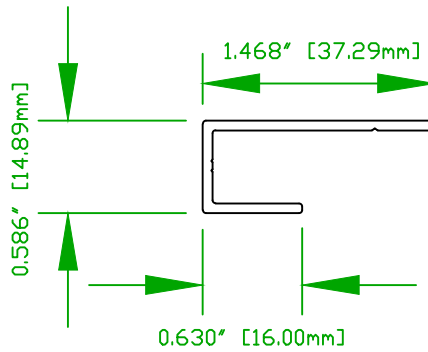
6" PLANK



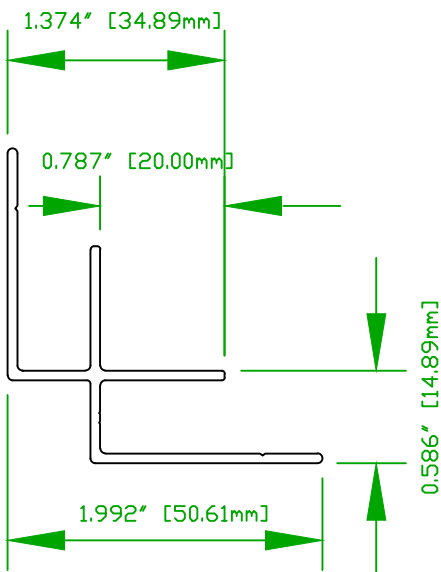
4" PLANK



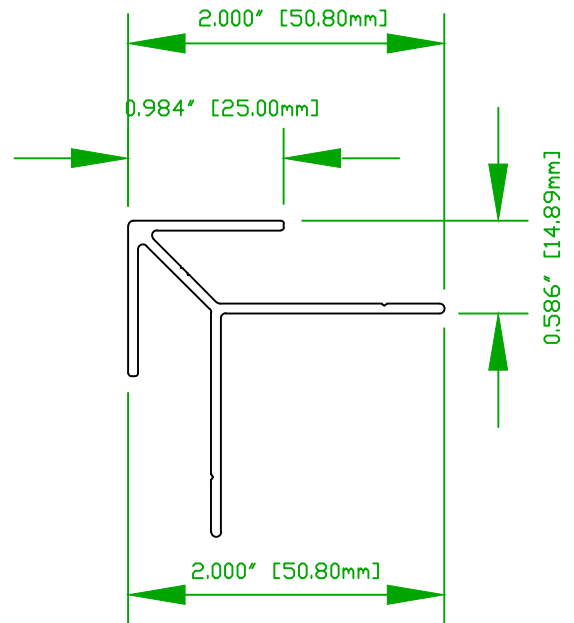
STARTER



C-CLOSURE



INSIDE CORNER



OUTSIDE CORNER



2529 W. Jackson St.
Phoenix, AZ 85298

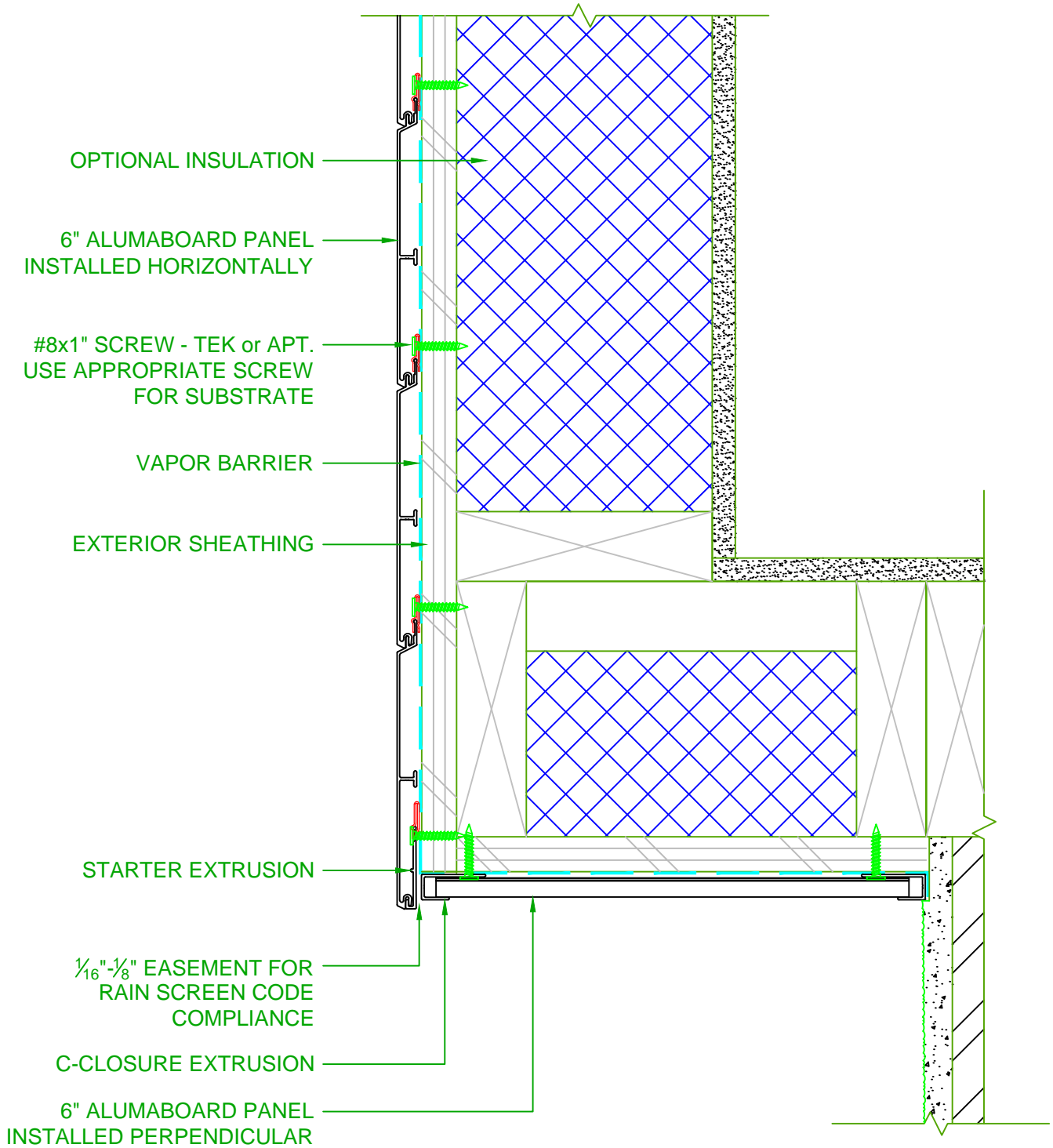
PHONE: (602) 275-1676
FAX: (602) 275-1739

TYPICAL SYSTEM EXTRUSIONS

SCALE: NTS

7/24/14

SYSTEM = 6" ALUMABOARD



2529 W. Jackson St.
Phoenix, AZ 85298

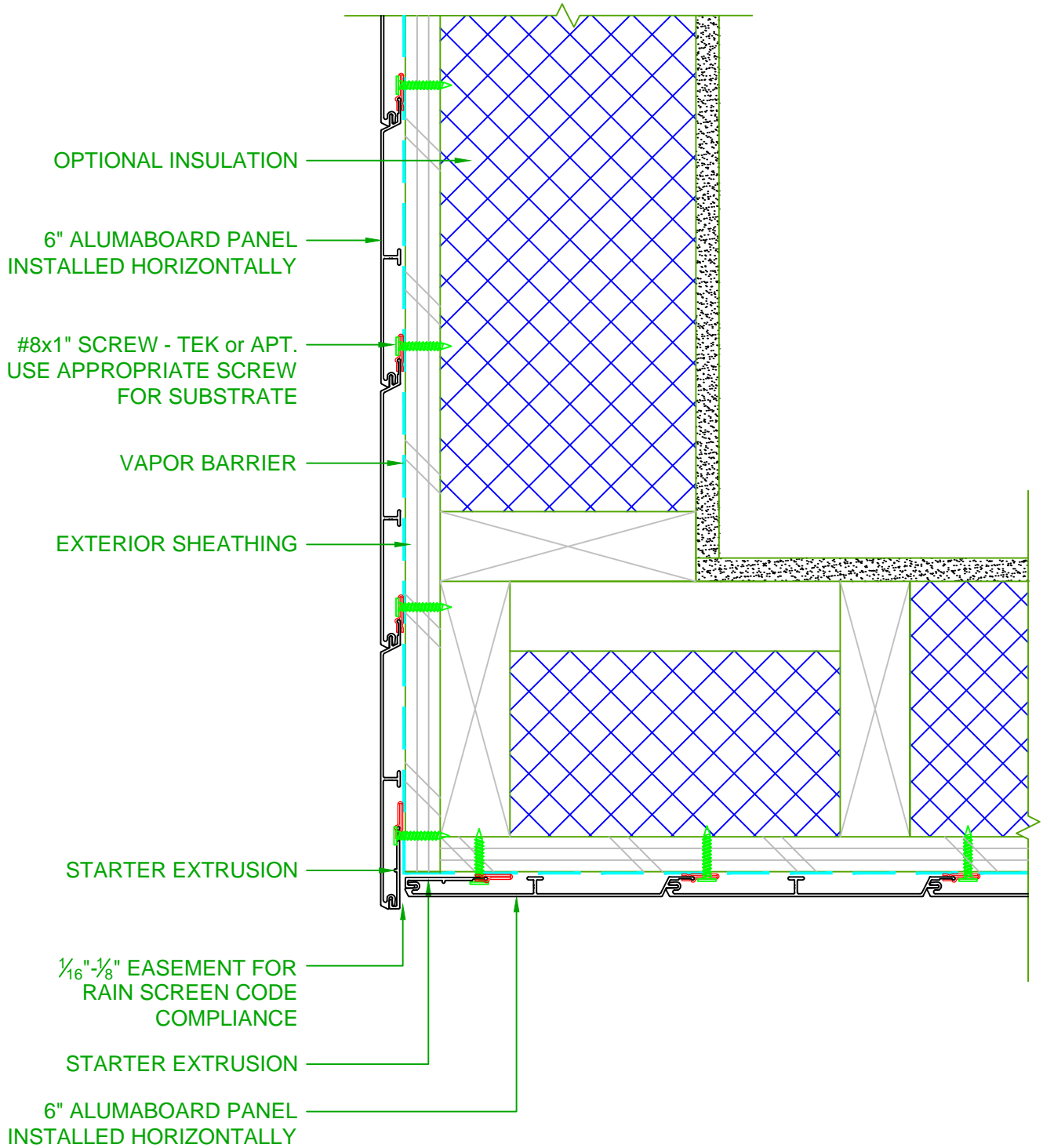
PHONE: (602) 275-1676
FAX: (602) 275-1739

HOR. FACIA TO PERP. SOFFIT

SCALE: NTS

7/24/14

SYSTEM = 6" ALUMABOARD



2529 W. Jackson St.
Phoenix, AZ 85298

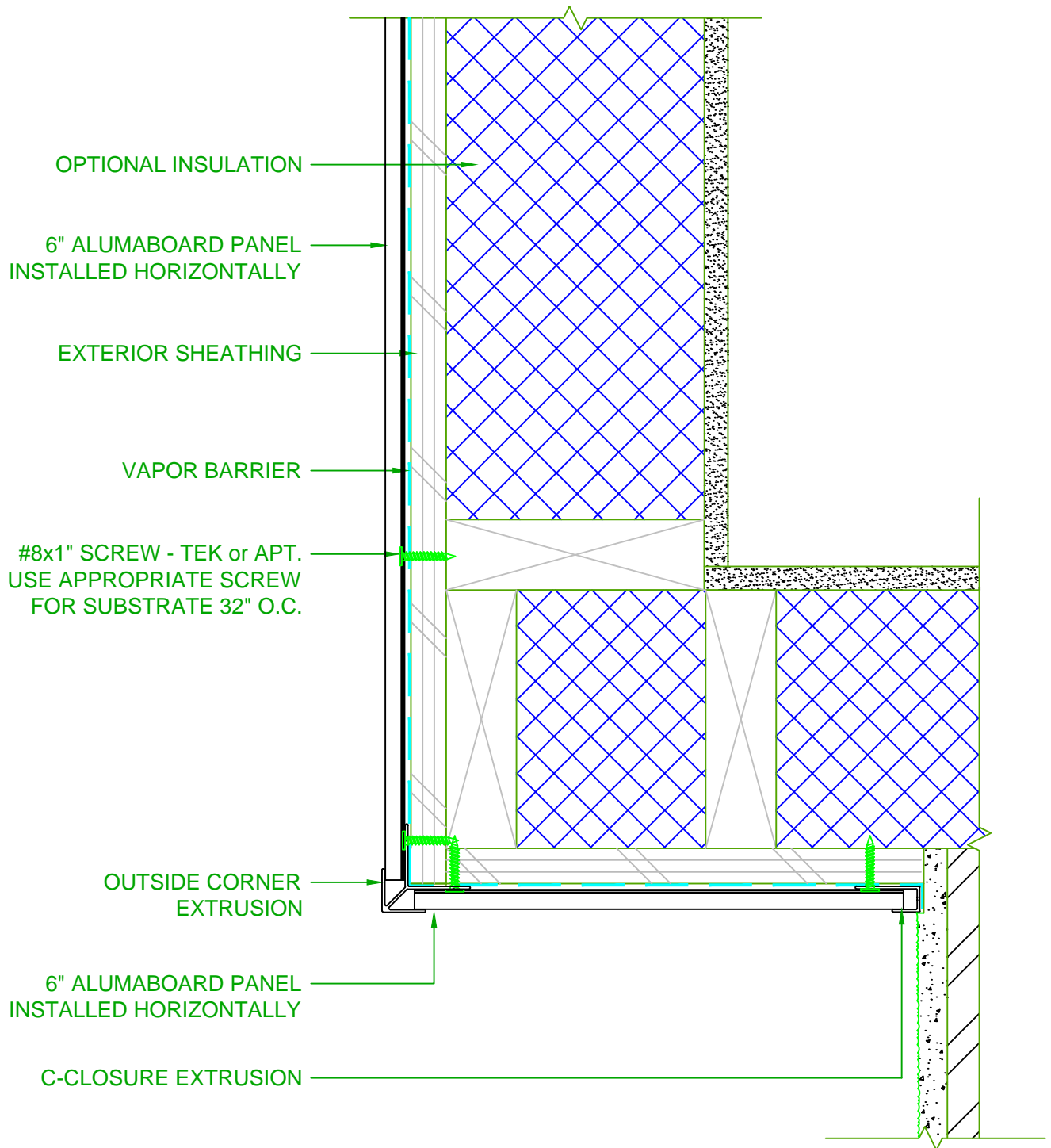
PHONE: (602) 275-1676
FAX: (602) 275-1739

HOR. FASCIA TO HOR. SOFFIT

SCALE: NTS

7/24/14

SYSTEM = 6" ALUMABOARD



2529 W. Jackson St.
Phoenix, AZ 85298

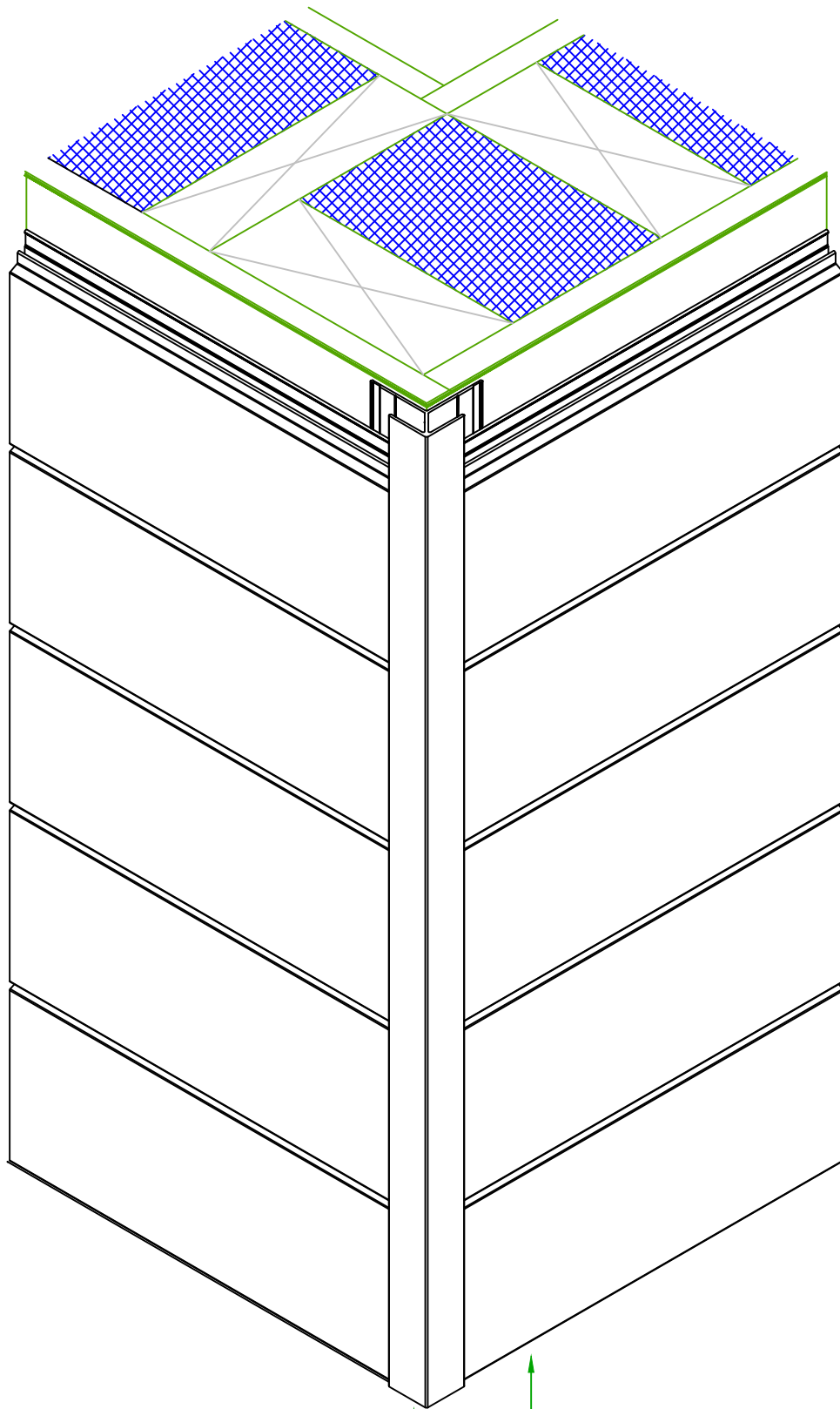
PHONE: (602) 275-1676
FAX: (602) 275-1739

HORIZONTAL OUTSIDE CORNER

SCALE: NTS

7/24/14

SYSTEM = 6" ALUMABOARD



OUTSIDE CORNER EXTRUSION

6" ALUMABOARD PANELS



2529 W. Jackson St.
Phoenix, AZ 85298

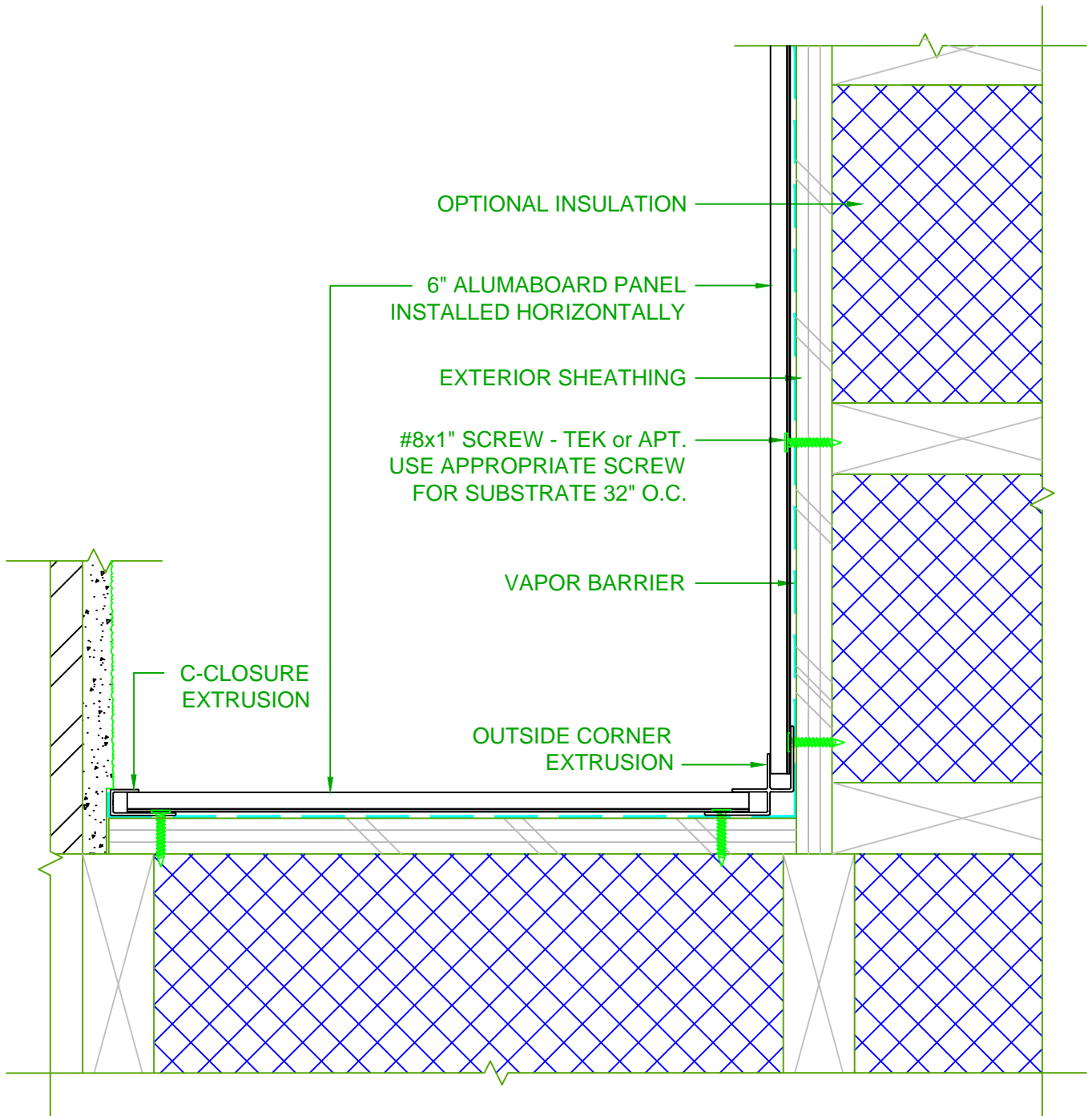
PHONE: (602) 275-1676
FAX: (602) 275-1739

OUTSIDE CORNER ISO

SCALE: NTS

7/24/14

SYSTEM = 6" ALUMABOARD



2529 W. Jackson St.
Phoenix, AZ 85298

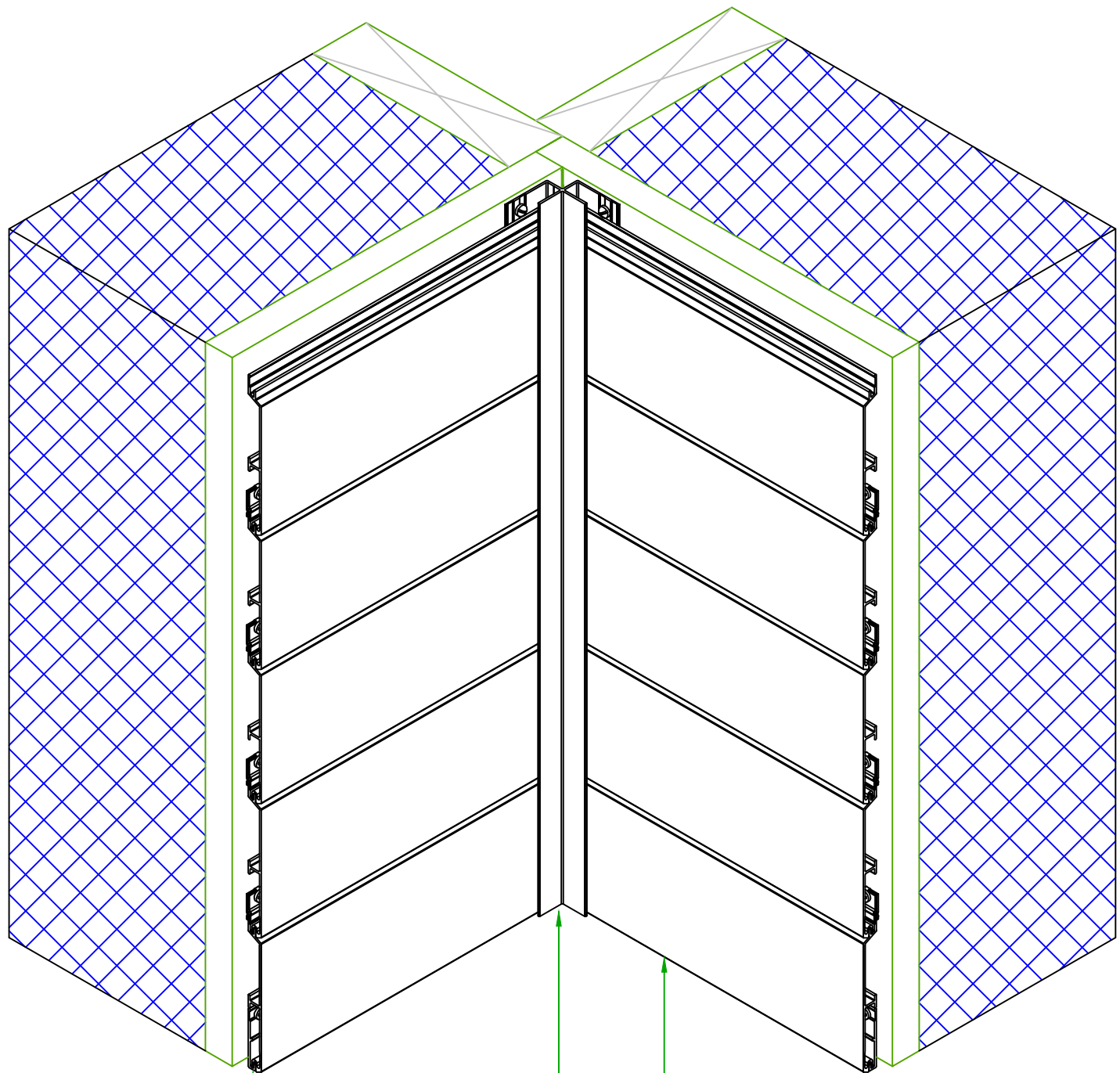
PHONE: (602) 275-1676
FAX: (602) 275-1739

HORIZONTAL INSIDE CORNER

SCALE: NTS

7/24/14

SYSTEM = 6" ALUMABOARD



STARTER EXTRUSION

INSIDE CORNER EXTRUSION

6" ALUMABOARD PANELS



2529 W. Jackson St.
Phoenix, AZ 85298

PHONE: (602) 275-1676
FAX: (602) 275-1739

INSIDE CORNER ISOMETRIC

SCALE: NTS

7/24/14

SYSTEM = 6" ALUMABOARD