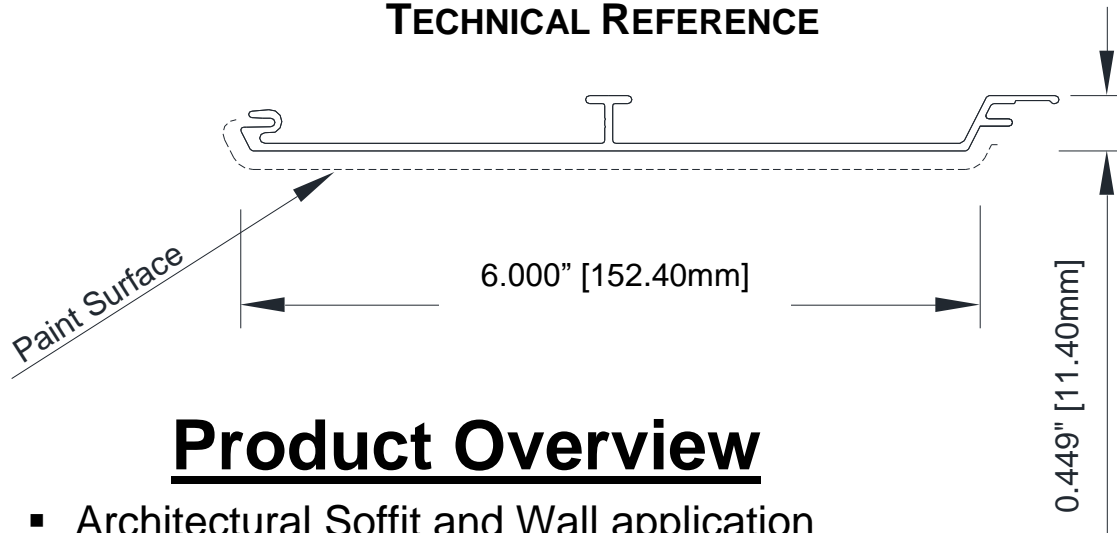


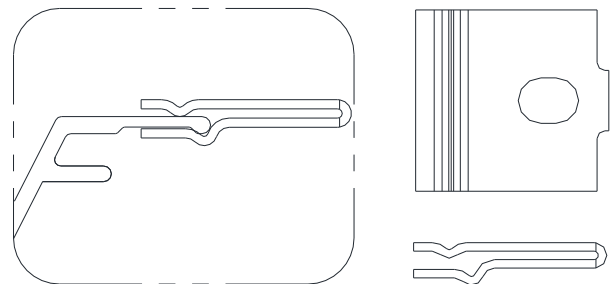
# ALUMABOARD WALL & SOFFIT

## TECHNICAL REFERENCE



## Product Overview

- Architectural Soffit and Wall application
- Applied over Open Framing or Solid Substrate
- Finishes: 12 Standard Powder-Coated Wood Grains; Solid colors & additional wood-grains available upon request
- Smooth or Textured surface
- Available in .063" (nominal) Extruded Aluminum
- System testing with CA & FL stamps: ASTM E2768/E84, ASTM E136, AAMA 1402
- Paint Finish testing: AAMA 2603, 2604, & 2605
- 1/2" Deep, 6" coverage
- 3/4" long stainless steel clips; allows for thermal expansion



## GENERAL INFORMATION

- Standard Panel Length 12'-0"
- Lengths available up to a maximum of 24'-0" upon request