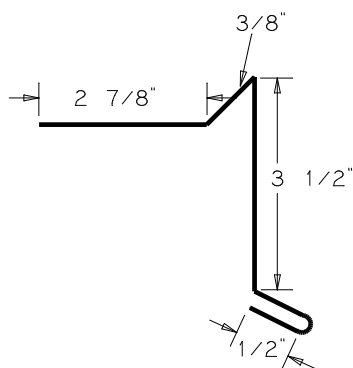


Customer \_\_\_\_\_  
 Job Name \_\_\_\_\_  
 Phone/Fax \_\_\_\_\_

Color \_\_\_\_\_  
 Gauge \_\_\_\_\_  
 PO# \_\_\_\_\_

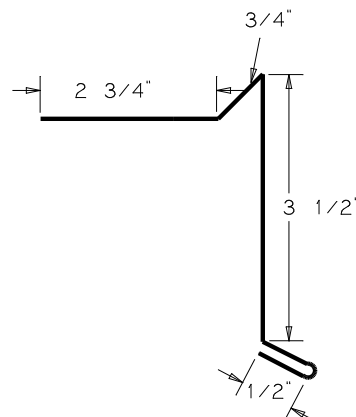
### ROLLFAB GS-1 (Low Rise)

Quantity \_\_\_\_\_  
 Length/pc \_\_\_\_\_ (120" standard)  
 Roof Pitch \_\_\_\_\_: 12  
 Material \_\_\_\_\_



### ROLLFAB GS-2 (Mid Rise)

Quantity \_\_\_\_\_  
 Length/pc \_\_\_\_\_ (120" standard)  
 Roof Pitch \_\_\_\_\_: 12  
 Material \_\_\_\_\_



### ROLLFAB GS-3 (High Rise)

Quantity \_\_\_\_\_  
 Length/pc \_\_\_\_\_ (120" standard)  
 Roof Pitch \_\_\_\_\_: 12  
 Material \_\_\_\_\_

